



Torch with Built-in Flashback Arrestors and Check Valves

VH-211FC & VM-221FC with built-in flashback arrestors are UL certified for superior safety and stability.



CERTIFICATIONS

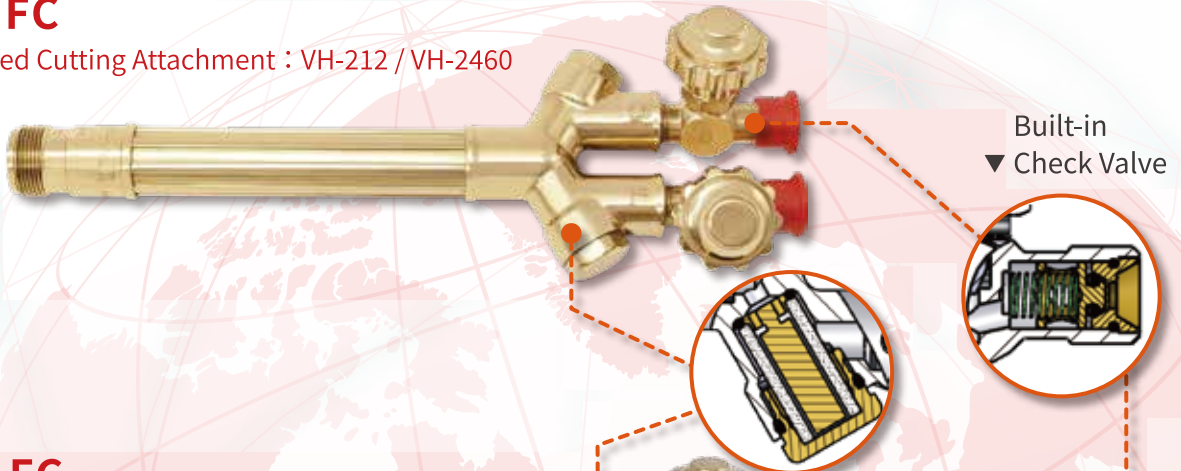


INLET CONNECTION

9/16"-18N

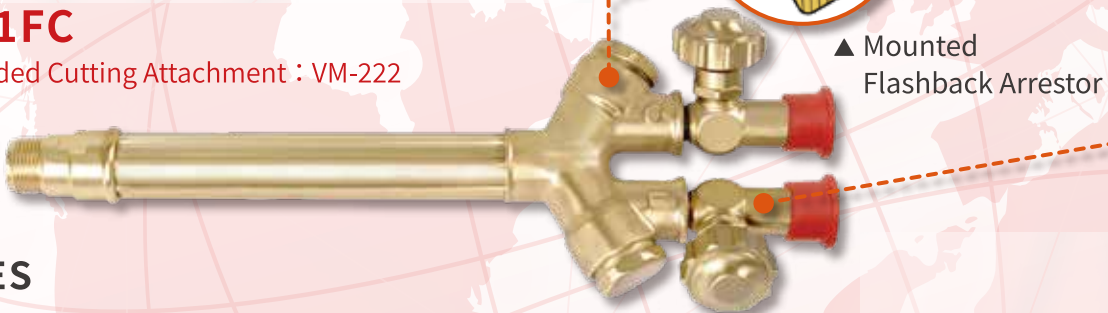
VH-211FC

Recommended Cutting Attachment : VH-212 / VH-2460



VM-221FC

Recommended Cutting Attachment : VM-222



FEATURES

- Tough extruded brass handle for strength
- Two stainless steel needle valves for precise flame adjustment and better durability
- No screws or soldered joints for easier maintenance
- Forged brass head and body for added strength and durability
- Built-in flashback arrestors and check valves for greater convenience and safety

MORRIS PRECISION TECHNOLOGY CO., LTD.

📍 No.7-1 Kung Yeh Rd., Kuan Tien Ind. Dist., Tainan City, Taiwan 72042
☎ 886-6-6991119 📠 886-6-6991239 ✉ iosales@ioxygen.com

IOxygen®

